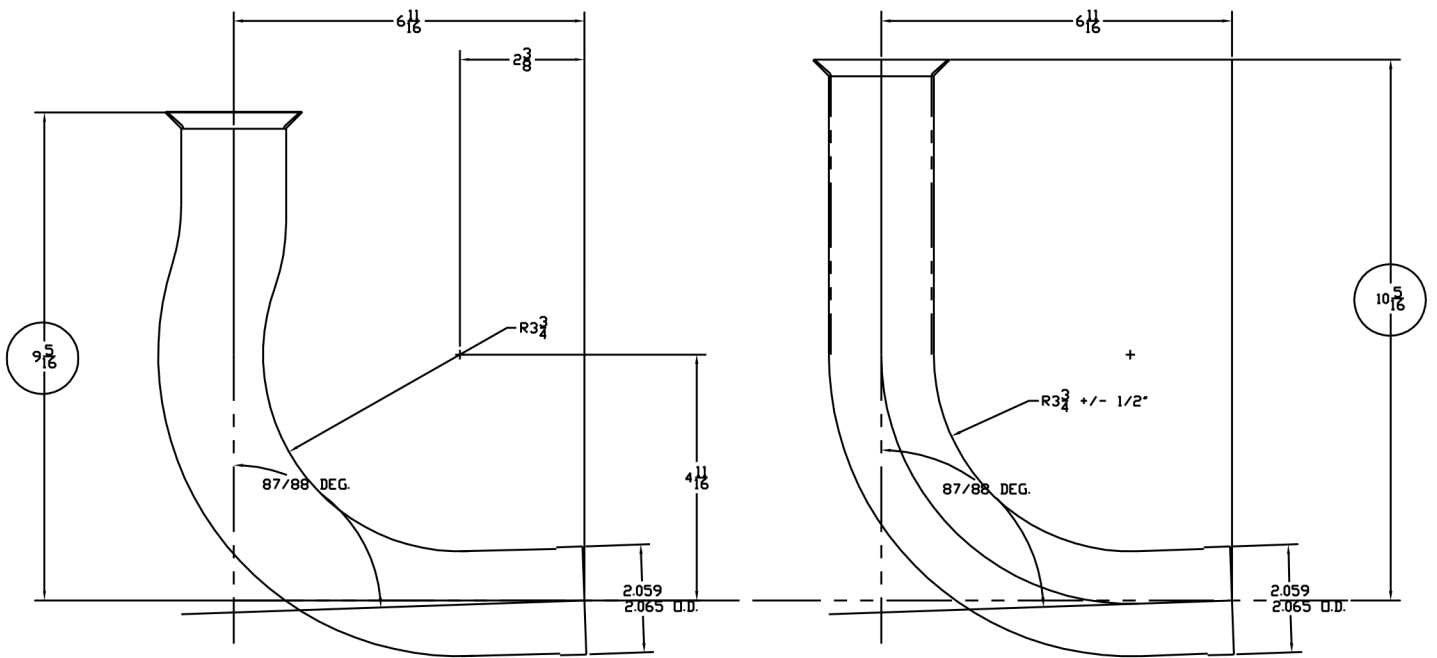


1928-March 1929

April 1929  
to end of production



1928 Inlet Pipe on left, April 1929 to end of production on right.

Note the 1928 is "one" inch shorter and has the forward curve of the pipe to clear the motor mount.